



TOLL FREE 1-800-392-0146

www.hoist-parts.com
parts@sisscohoist.com

SISSCO ONLINE HOIST PARTS DISTRIBUTION CENTER MANUALS



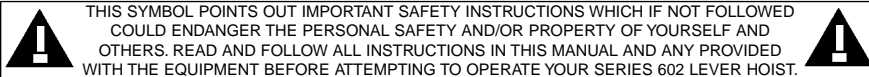
A Reputation for Service Since 1972
Certified WBE



SAFETY PRECAUTIONS

Each Series 602 Manually Operated Lever Hoist is built in accordance with the specifications contained herein and at the time of manufacture complies with our interpretation of applicable sections of *ASME B30.21, *ANSI/ASME HST-3M and the Occupational Safety and Health Act-1970.

The safety laws for elevators and for dumbwaiters specify construction details that are not incorporated in CM industrial hoists. We recommend the use of equipment that meets state and national safety codes for such use. Columbus M^oKinnon Corporation cannot be responsible for applications other than those for which CM equipment is recommended.



*Copies of the standards may be obtained from ASME Order Department, 22 Law Drive, Box 2300, Fairfield, NJ 07007-2300.

WARNING!

Improper operation of a hoist can create a potentially hazardous situation which, if not avoided, could result in death or serious injury. To avoid such a potentially hazardous situation, the operator shall:

1. **NOT** operate a malfunctioning or unusually performing hoist.
2. **NOT** operate the hoist until you have thoroughly read and understood this Operating, Maintenance and Parts Manual.
3. **NOT** operate a hoist which has been modified without the manufacturer's approval or certification to be in conformity with applicable OSHA regulations.
4. **NOT** lift or pull more than rated load for the hoist.
5. **NOT** use damaged hoist or hoist that is **not** working properly.
6. **NOT** use hoist with twisted, kinked, damaged, or worn load chain.
7. **NOT** operate with any lever extension (cheater bar).
8. **NOT** attempt to "free-chain" the hoist while load is applied.
9. **NOT** use the hoist to lift, support, or transport people.
10. **NOT** lift loads over people and make sure all personnel remain clear of supported load.
11. **NOT** attempt to lengthen the load chain or repair damaged load chain.
12. Protect the hoist's load chain from weld splatter or other damaging contaminants.
13. **NOT** operate hoist when it is restricted from forming a straight line from hook to hook in the direction of loading.
14. **NOT** use load chain as a sling or wrap load chain around load.
15. **NOT** apply the load to the tip of the hook or to the hook latch.
16. **NOT** apply load unless load chain is properly seated in the chain wheel(s) or sprocket(s).
17. **NOT** apply load if bearing prevents equal loading on all load supporting chains.
18. **NOT** operate beyond the limits of the load chain travel.
19. **NOT** leave load supported by the hoist unattended unless specific precautions have been taken.
20. **NOT** allow the chain or hook to be used as an electrical or welding ground.
21. **NOT** allow the chain or hook to be touched by a live welding electrode.
22. **NOT** remove or obscure the warnings on the hoist.
23. **NOT** operate a hoist which has **not** been securely attached to a suitable support.
24. **NOT** operate a hoist unless load slings or other approved single attachments are properly sized and seated in the hook saddle.
25. **NOT** lift loads that are **not** balanced and that the holding action is **not** secure, taking up slack carefully.
26. **NOT** operate a hoist unless all persons are and remain clear of the supported load.
27. Report malfunctions or unusual performances of a hoist, after it has been shut down until repaired.
28. **NOT** operate a hoist on which the safety placards or decals are missing or illegible.
29. Be familiar with operating controls, procedures and warnings.

CAUTION!

Improper operation of a hoist can create a potentially hazardous situation which, if not avoided, could result in minor or moderate injury. To avoid such a potentially hazardous situation, the operator shall:

1. Maintain a firm footing or be otherwise secured when operating the hoist.
2. Check brake function by tensioning the hoist prior to each lift or pulling function.
3. Use hook latches. Latches are to retain slings, chains, etc. under slack conditions only.
4. Make sure the hook latches are closed and not supporting any parts of the load.
5. Make sure the load is free to move and will clear all obstructions.
6. Avoid swinging the load or hook.
7. Avoid lever "fly-back" by keeping a firm grip on the lever until operating stroke is completed and the lever is at rest.
8. Inspect the hoist regularly, replace damaged or worn parts, and keep appropriate records of maintenance.
9. Use the hoist manufacturer's recommended parts when repairing the unit.
10. Lubricate load chain per hoist manufacturer's recommendations.
11. **NOT** use the hoist load limiting or warning device to measure load (if so equipped).
12. **NOT** operate except with manual power.
13. **NOT** permit more than one operator to pull on lever at the same time. More than one operator is likely to cause hoist overload.
14. **NOT** allow your attention to be diverted from operating the hoist.
15. **NOT** allow the hoist to be subjected to sharp contact with other hoists, structures, or objects through misuse.
16. **NOT** adjust or repair the hoist unless qualified to perform such adjustments or repairs.

Operating, Maintenance & Parts Manual

SERIES 602

Manually Lever Operated Chain Hoist

Maximum Capacity: 550 Pounds (250 Kg.)



CAUTION-IMPORTANT

FORWARD THIS MANUAL TO OPERATOR:
If not properly installed, operated and maintained, the use of all mechanical equipment presents the possibility of personal injury or property damage. Before hoist use, all persons should read this manual thoroughly. For safe, dependable and economical performance, follow all instructions and recommendations contained herein. It is also important to retain this manual for current and future use.

Model Number _____

Serial Number _____

Purchase Date _____

CM® COLUMBUS M^oKINNON CORPORATION
INDUSTRIAL PRODUCTS DIVISION
140 JOHN JAMES AUDUBON PARKWAY
AMHERST, NEW YORK 14228-1197

Printed in USA

MANUAL NO. 602-A

02805

INSTALLATION

1. Read and understand the safety precautions on page 7 of this manual.
2. Estimate the load that is to be lifted or moved and make sure it does not exceed 550 pounds (250 Kg.).
3. Make sure that the support to which the upper hook is attached is strong enough to hold several times the weight of the load. Be sure the hoist is solidly held in in the uppermost part of the upper hook, the latch is closed and the latch does not contact the support.
4. Make sure that the hoist is rigged so that the upper and lower hooks will form a straight line when the hoist is operated and the frame is free to swivel and will not come in contact with any object.

OPERATION

⚠ WARNING

Failure to use as directed herein may cause injury to you or others and could result in property damage.

- DO NOT exceed the 550 pound (250 Kg.) capacity of the hoist or 58 pounds (26 Kg.) handle pull when lifting or pulling.
- DO NOT use the hoist to lift people or loads over people.
- DO NOT use a damaged or malfunctioning hoist.
- DO NOT use if the load chain is twisted, kinked, worn, stretched or damaged.
- DO NOT use unless the hoist's frame and chain form a straight line between hooks.
- DO NOT use if the hoist's frame is in contact with any object.
- DO NOT leave a suspended load or hoist under tension unattended.
- DO NOT use an extension on the handle. Operate using hand power only.
- DO NOT apply loads to the tip of the hooks or to the hook latches.
- DO NOT remove warning labels and tags from the hoist.

Before using the Series 602 Lever Hoist, familiarize yourself with main parts (See Fig. 1). Always check the hoist for proper operation before use and under no circumstance should you attempt to use a malfunctioning hoist. To reduce the risk of injury, the user must read and understand this manual.

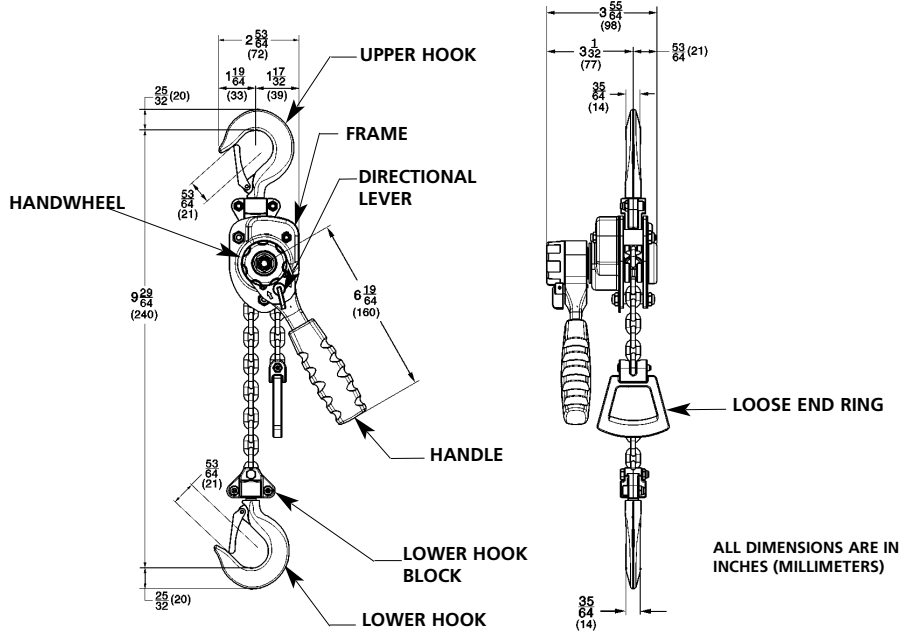
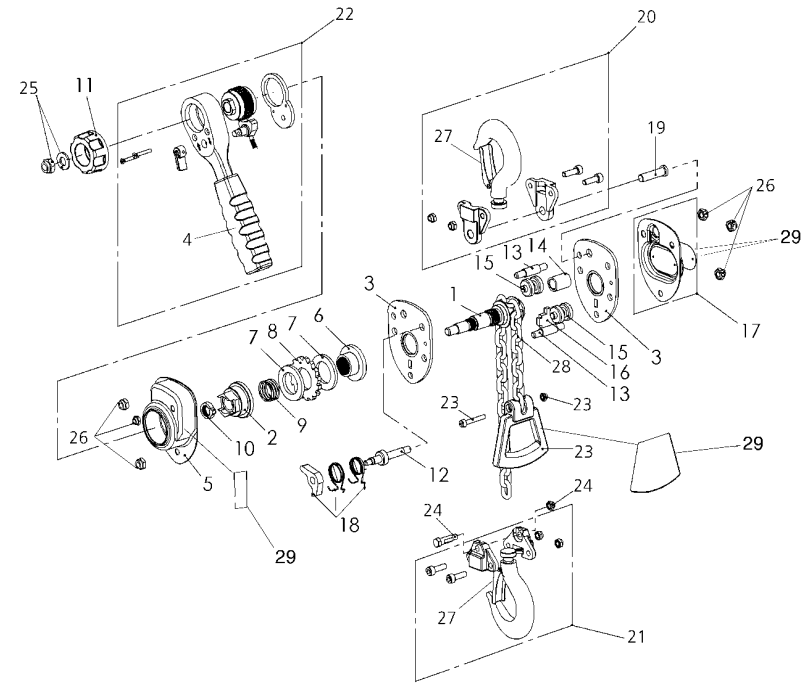


Figure 1. **SERIES 602 LEVER HOIST**

CODE: 0210	NET WEIGHT: 5 LBS. (2.3 Kg.)
DC CODE: 60210	SHIPPING WEIGHT: 6 LBS. (2.7 Kg.)
MAX. CAPACITY: 550 POUNDS (250 Kg.)	MINIMUM DISTANCE BETWEEN HOOKS: 9 7/16 IN. (240 mm)
STANDARD LIFT: 5 FEET (1.5 M)	CHAIN SIZE: 4 X 12 mm
PULL ON HANDLE TO LIFT MAX. CAPACITY: 58 POUNDS (26 Kg.)	NUMBER OF 90° HANDLE STROKES TO LIFT LOAD 1 FOOT (.3 M): 26



SERIES 602 LEVER HOIST PARTS LIST							
Ref. No.	Description	Part No.	Qty.	Ref. No.	Description	Part No.	Qty.
1	Liftwheel and Shaft	00230161	1	15	Chain guide Roller	00230115	2
2	Ratchet Hub	00230138	1	16	Stripper	00230116	1
3	Side Plate Assembly	00230258	2	17	Cover with Nameplate	00230169	1
4	Lever Grip	00230153	1	18	Pawl and Springs	00230259	1
5	Brake Cover	00230124	1	19	Upper Hook Pin	00230131	1
6	Friction Hub	00230113	1	20	Upper Hook Assembly	00230137	1
*7	Brake Disc	00230133	2	21	Lower Hook Assembly	00230137	1
8	Ratchet	00230114	1	22	Handle Assembly	00230164	1
9	Brake Spring	00230130	1	23	Loose End Ring Kit	00230260	1
10	Check Washer	00230117	1	24	Chain Screw and Nut	00230261	1
11	Handwheel	00230155	1	25	Brake Nut and Washer	00230262	1
12	Pawl Stud	00230120	1	26	Cover Nut Kit	00230288	1
13	Side Plate Studs	00230119	2	*27	Latch Kit	00230168	2
14	Spacer	00230121	1	*28	Load Chain (5ft. Lift)	02100004	1
29	Warning Labels, Capacity Label, Nameplate and Drive Screws Kit					00010	1

*These are the only parts CM stocks for repairs. All other parts are available on a special order basis-contact CM.

CM HOISTS PARTS AND SERVICES ARE AVAILABLE IN THE UNITED STATES AND IN CANADA

As a CM Hoist user you are assured of reliable repair and parts services through a network of Master Parts Depots and Service Centers that are strategically located in the United States and Canada. These facilities have been selected on the basis of their demonstrated ability to handle all parts and repair requirements promptly and efficiently. To quickly obtain the name of the Master Parts Depot or Service Center located nearest you call (800) 888-0985. Fax: (716) 689-5644.

CM REPAIR/REPLACEMENT POLICY

All Columbus McKinnon (CM®)Hoists are thoroughly inspected and performance tested prior to shipment. If any properly maintained hoist within 1 year of shipment develops a performance problem due to a material or workmanship defect, as verified by CM, repair or replacement of the unit will be made to the original purchaser without charge. This repair/replacement policy applies only to hoists installed, maintained and operated as outlined in this manual, and specifically excludes normal wear, abuse, improper installation, improper or inadequate maintenance, hostile environmental effects and unauthorized repairs/modifications.

CM reserves the right to change materials or design if, in its opinion such changes will improve its product. Abuse, repair by an unauthorized person, or use of non-CM replacement parts voids the guarantee and could lead to dangerous operation. For full "Terms of Sale", see Sales Order Acknowledgement.

FREQUENT AND PERIODIC INSPECTION CHART

ITEM	FREQUENCY		WHAT TO CHECK	INSPECTION METHOD	ACCEPTANCE LEVEL
	*DAILY (FREQUENT)	EVERY 6 MONTHS (PERIODIC)			
Labeling and Tags	X	X	Nameplate, capacity label warning labels and free chaining tag.	Visual	These items must be legible and securely fastened to the hoist. Replace if necessary.
Operation	X	X	General Operation	Lift and Lower a light load.	1.Chain must feed into and out of the hoist freely. 2. Brake must hold the load when handle is released.
	---	X	Overload test.	Lift and Lower a 688# (312 Kg.) load one foot (300 mm)	1. Pull on handle should be about 73# (33Kg.) 2. Brake should operate smoothly while lowering.
	X	X	Directional Lever	Movement	Lever must move smoothly.
	X	X	Free Chaining	Movement	In free chaining mode, chain should feed into and out of the hoist freely when pulled by hand.
Hook Assemblies	X	X	Hook opening and bowl wear	Measure opening and bowl wear.	See Figure 4.
	X	X	Hook latch	Operation, engagement and damage.	1. Latch must not be damaged. 2. Latch must operate smoothly with sufficient pressure to engage the tip of the hook tightly.
	X	X	Hook deformation.	Visually	Hook must not be bent more than 10 degrees from the plane of the unbent hook.
	X	X	Hook chain screw, upper hook pin, hook collars and hook collars hardware.	Visually	There must be no damage, corrosion, excessive wear or looseness.
	X	X	Hooks chemical damage, cracks, gouges	Visually	There must be no excessive corrosion, visible cracks or gouges.
Chain	X	X	Lubrication.	Visually	Chain should be frequently lubricated using Frisk Bros. Lubriplate 10-R, or equal.
	X	X	Corrosion, Pitting, Gouges.	Visually	There must be no excessive corrosion, pitting or gouges on the chain.
	X	X	Wear and deformation.	Measure chain for wear and stretch.	See figure 5.
	X	X	Deformation, twists.	Visually	Chain must be free of twists.
Brake Disc	----	X	Wear and contamination.	Measure thickness and visually.	Replace brake disc if its thickness is less than 0.094" (2.4 mm) or if the friction surfaces are glazed, oily or contaminated.
Hoist Head	----	X	Side plate and covers.	Visually.	Frame and covers should not be damaged or corroded.
	X	X	Handle	Visually.	Handle, must not be bent or corroded. Grip should not be damaged.
	----	X	Stripper	Visually.	Stripper must not be bent, corroded or worn.
	X	X	Hardware	Visually.	All nuts must not be corroded and must be securely tightened.
	----	X	Pawl and ratchet.	Visually	There should be no excessive wear of the ratchet teeth and the tip of the pawl. The pawl spring should not be corroded or stretched.

*Daily or before each use.


FREE CHAINING

In this mode, the load can be pulled through the hoist in either direction by hand for quick attachment to the load. To set the hoist to free chaining mode:

1. With no load on the hoist, move the directional lever to the center (neutral) position.
2. *Pull the load chain, in either direction, to its desired length so that the lower hook can be attached to the load. Note that the chain must feed into the hoist freely. If it does not, check for twisted chain. A twisted chain may become damaged by the chain guide rollers or liftwheel and result in chain damage.
*Pull the chain slowly and be careful: **HANDLE MAY SPIN.**


OPERATING THE LEVER HOIST


The Series 602 Lever Hoist can be used in any position as long as it is rigged to pull in a straight line from hook to hook and the frame is free to swivel on the upper hook.

 WARNING
If the hoist is not rigged in a straight line hook to hook manner or if the frame is not free to swivel on the upper hook, handle pull may break the frame, bend upper hook and/or break the chain and cause physical injury or loss of load.
To Avoid Injury: Always rig the hoist in a straight line hook to hook manner and do not allow the frame to touch the load or any object when in use.

When operating in limited spaces, use attachments or slings to make sure the frame is free to swivel on the upper hook and that there are no obstructions that would prevent you from operating the hoist.

1. Suspend or attach the hoist from an adequate support (see **INSTALLATION**).
2. Following the instruction for **FREE CHAINING**, take up the slack chain and attach the lower hook to load to be lifted or moved. Make sure that the load will be applied to the bowl of the lower hook and that it will not be applied to the latch or tip of the hook.
3. To lift or pull load, set the directional lever to the **LOAD** position and slowly pull chain in either direction by hand to ensure the hoist is out of the free chaining mode. **Be careful: HANDLE MAY SPIN.** Then operate the handle up and down to tension the load only enough to check that the brake is engaged and that the attachments to hooks and load are firmly seated. Then repeatedly operate the handle up and down to lift or pull the load. **DO NOT OVERLOAD!** A handle pull of 58 pounds (26 Kg.) results in applying the maximum capacity of 550 pounds (250 Kg.) to the hoist.
4. To lower or loosen the load, move the directional lever to the **UNLOAD** position and operate the handle up and down repeatedly.

 WARNING
With no load on the hoist and when the directional lever is in the LOAD or UNLOAD position, pulling sharply on either end of the chain will cause the handle to spin rapidly.
To Avoid Injury: Never pull sharply on either end of the chain when the directional lever is in the LOAD or UNLOAD position.

 WARNING
If directional lever is forced out of engagement with a load applied, load will be released.
To Avoid Injury:
With a load applied to the hoist, do not force the directional lever into the center (neutral) position.

LOCKED BRAKE

If a hoist under load is suddenly relieved of the load by removing the load from the hoist by some other means, the brake will remain locked. The brake could also lock if the lower hook block is run tightly against the frame. To unlock the brake, move the directional lever to the (↘) **UNLOAD** position and pull sharply on the handle, or reapply the load and operate the hoist in the normal manner.

MAINTENANCE/INSPECTION

The Series 602 Lever Hoist normally requires very little maintenance, other than the frequent and periodic inspection listed in the chart on page 5. However, if the hoist is disassembled for inspection, the following should be observed when reassembling (refer to the exploded view and parts lists for relationship and name of parts):

1. The pawl must engage the teeth of the ratchet as shown in Figure 2.
2. The check washer must be positioned on the ratchet hub as shown in Figure 2.
3. When installing the chain, it must be fed through the chain guide rollers with the welds away from the liftwheel, the lower hook must be directly below the upper hook and the loose end ring must be positioned and oriented at the end of the chain as shown in Figure 3
4. A rivet is used to attach the latch to the hook. To remove the latch grind off the head of the rivet. When installing the latch, only peen over the end of the rivet enough to secure it.

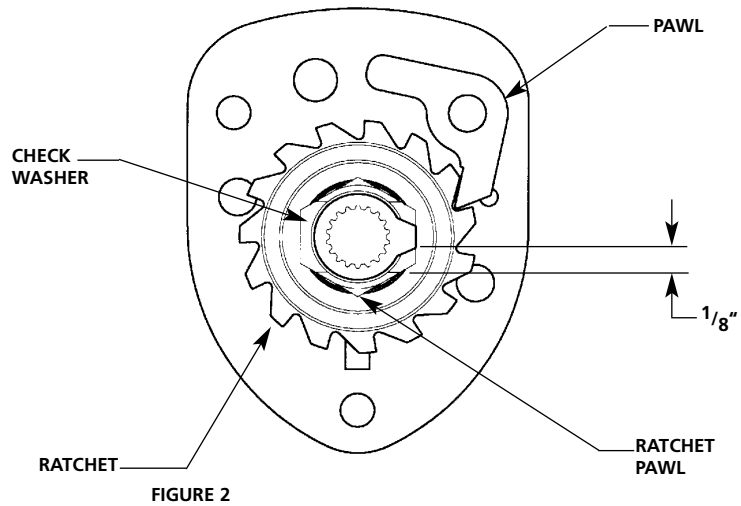


FIGURE 2

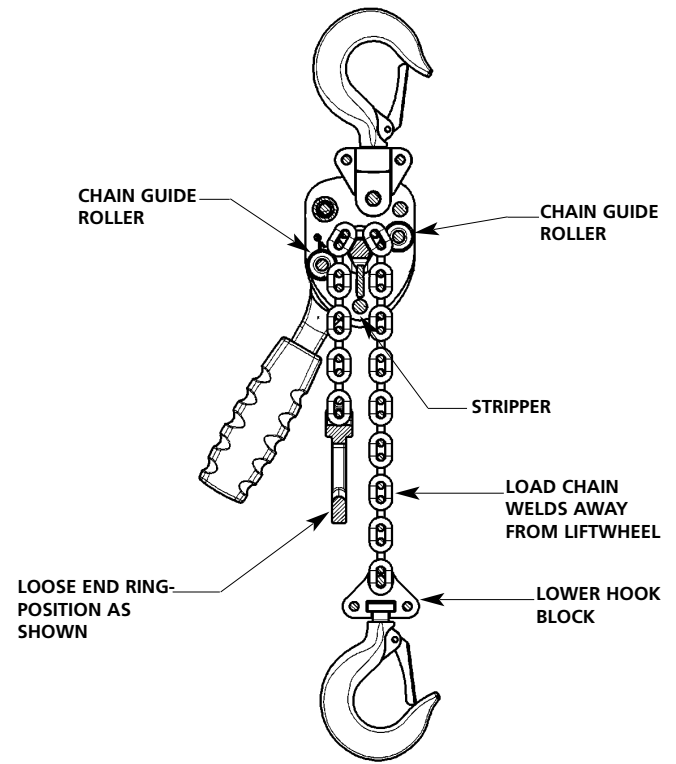


FIGURE 3

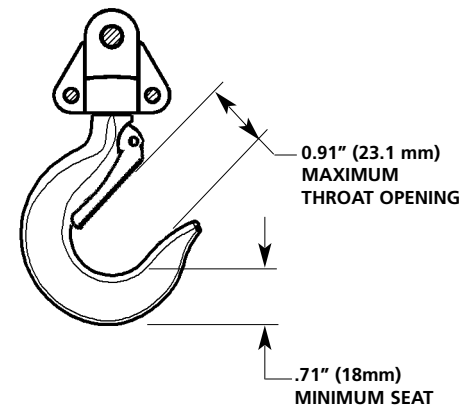


FIGURE 4

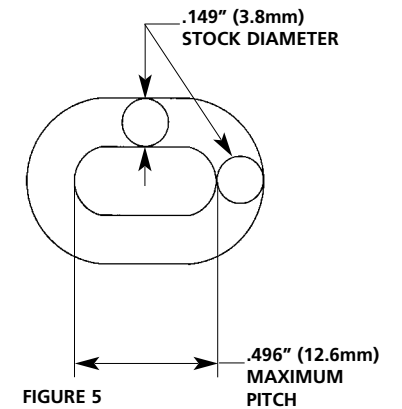


FIGURE 5