



**TOLL FREE 1-800-392-0146**

[www.hoist-parts.com](http://www.hoist-parts.com)  
[parts@sisscohoist.com](mailto:parts@sisscohoist.com)

**SISSCO ONLINE HOIST PARTS DISTRIBUTION CENTER MANUALS**



***A Reputation for Service Since 1972***  
***Certified WBE***



For Coil Chain BUDGIT Electric Hoists, Series 2000 Air Hoists,  
Series 6000 Air Hoists, And USA Hand Chain Hoists.

## GENERAL

BUDGIT Heavy Duty Rigid Mount Trolleys are designed especially for use with BUDGIT Coil Chain Model Electric Hoists, Series 2000 Air Hoists, Series 6000 Air Hoists, and USA Hand Chain Hoists. They attach directly to suspension lugs of lug mounted model hoists, or, are used in combination with special BUDGIT Suspension Lugs to convert hook suspended model hoists for rigid mount trolley suspension. Instructions for installing lugs are not include herein. They are provided with suspension lug kits.

Trolleys are shipped partially disassembled to make it unnecessary to take them apart before mounting on hoist. This also makes it easier to properly adjust the trolleys to fit the particular beams on which they are to operate. Trolleys must be correctly fitted to properly support the rated load.

Your new BUDGIT Heavy Duty Rigid Mount Trolley can be assembled to your BUDGIT Coil Chain Electric Hoist, Series 2000 Air Hoist, Series 6000 Air Hoist, or USA Hand Chain Hoist, and the complete unit then installed on its monorail beam with a minimum of effort by following the directions given herein.

Patented track trolleys are designed to operate on patented track with a 3-1/4" wide flange.

**THE INFORMATION CONTAINED IN THIS MANUAL IS FOR INFORMATIONAL PURPOSES ONLY AND LIFT TECH DOES NOT WARRANT OR OTHERWISE GUARANTEE (IMPLIEDLY OR EXPRESSLY) ANYTHING OTHER THAN THE COMPONENTS THAT LIFT TECH MANUFACTURES AND ASSUMES NO LEGAL RESPONSIBILITY (INCLUDING, BUT NOT LIMITED TO CONSEQUENTIAL DAMAGES) FOR INFORMATION CONTAINED IN THIS MANUAL.**

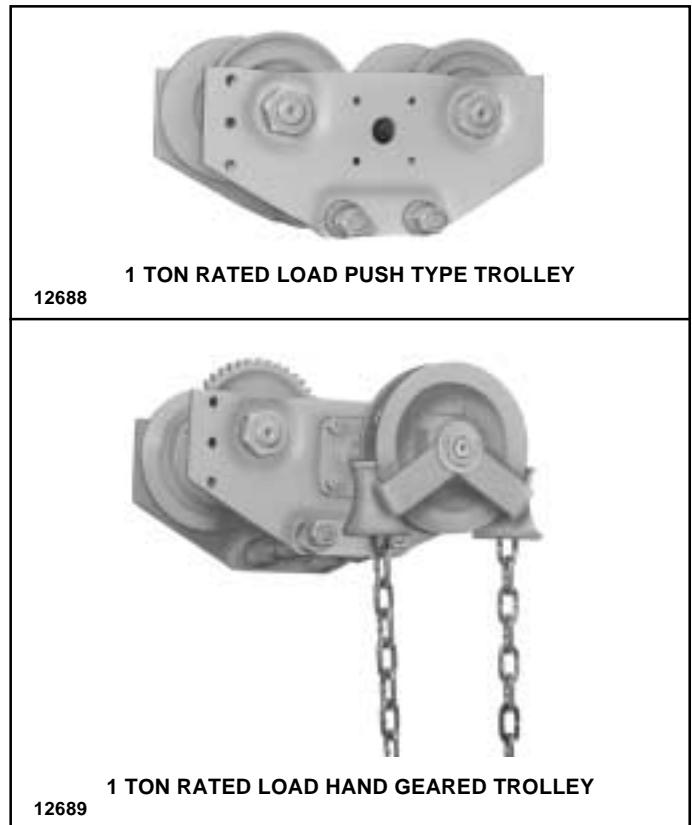


Figure 1.

**Notice:** Since rigid mounting does not allow hoist to rotate with pull of load, Heavy Duty Rigid Mount Trolleys must not be used with hoists having roller type load chain.

## ASSEMBLY OF TROLLEY TO HOIST

Place hoist on workbench, suspension lug facing up, and proceed as follows:

1. If trolley is a hand geared type rated 2 tons or less, make certain that proper size anti-tilt roller is installed on inside of one side plate before assembling trolley to hoist. Two rollers are provided with each hand geared trolley to accommodate full range of beam sizes that trolley is designed for. A small roller, suitable for I-beam sizes of 10" up to largest specified for trolley, has been pre-installed by the factory. If trolley is to operate on an I-beam smaller than 10", substitute the larger roller, which is shipped loose, by removing the outer "C" ring and replacing the smaller roller. For other than standard I-beams, measure beam flange

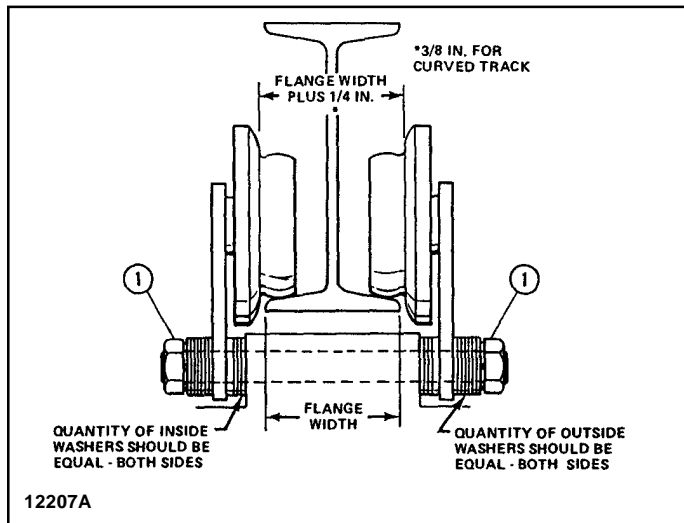
thickness and allow not less than 1/16" clearance between roller and bottom of beam flange.

2. Before attaching trolley to hoist, first determine proper spacing of trolley side plates to provide adequate wheel clearance (approximately 1/8") on both sides of I-beam, between inside faces of wheel flanges and edges of bottom beam flange. Proper spacing is obtained by varying number of spacer washers (furnished with trolley), which are installed on suspension cross pins, between suspension lug and trolley side plates.

3. Due to manufacturing tolerances, I-beams having the same size designation may vary in the width of their flanges. This makes it impossible to prescribe the specific number of spacer washers required between trolley side plates and lug for any

particular beam size. As a result the following procedure should be followed:

4. Measure exact width of bottom beam flange and add 1/4" to this dimension. This is the required distance between inside faces of wheel flanges to obtain proper operating clearance, as indicated in Figure 2.



**Figure 2. Sectional View of Trolley Showing Proper Wheel and Washer Spacing.**

5. An equal number of washers must be removed or added at each end of lug (inside side plates) as required to obtain proper wheel spacing determined in Step 4. When spacing is correct, remaining spacer washers are to be installed in equal numbers on outside ends of cross pins. Install lock-washers and tighten hex nuts.

**Note:** It is important that all the spacer washers that come with trolley be used.

## SUSPENDING TROLLEY AND HOIST

1. On push type trolley models determine whether hoist is to be suspended with frame parallel to runway beam or cross mounted (90 degrees to beam). Refer to hoist manual for instructions on suspension lug rotation.

2. On hand geared models the trolley is restricted to parallel mounting on hoist frame because of the handwheel and chain. When hoist chain container is to be used, trolley hand chain must be placed on side opposite tail chain of hoist (where chain container is mounted).

3. Hoist and trolley may be installed on I-beam by one of two methods. If trolley can be slipped directly over end of beam, it need not be partially disassembled. If this is impossible, remove hex nuts, lock-washers, outer spacer washers and one side plate from one side of trolley and reassemble on beam.

## CAUTION

In all cases, after trolley and hoist have been installed on I-beam, make sure a suitable stop is secured to each end of beam to prevent trolley rolling off. Make certain lock-washers are in place on cross pins and hex nuts are tight.

Recheck clearance dimensions between wheel flanges and beam flanges.

## WARNING

If trolley is mounted on an open-end beam, end stops must be installed to prevent trolley from running off the end of the beam, resulting in injury to operator and others, including danger to life and limb and damages to load and other property.

## OPERATING PRECAUTIONS

**DO NOT** load trolley beyond rated load.

**DO NOT** subject trolley to side loads. Always center trolley over load when hoisting.

**DO NOT** ram trolley into end stops, other trolleys, or any obstruction on beam. Improper and careless operation can result in a hazardous condition for operator and load.

**ALWAYS** be sure load is clear of obstruction before traversing load and trolley.

**DO NOT** stand and **DO NOT** cause or allow others to stand or get under any load the trolley is supporting. **DO** keep clear, and make sure others keep clear, of any load the trolley is supporting.

## WARNING

These trolleys are not designed nor intended to be used to support or transport people or for supporting or transporting loads over people.

## MAINTENANCE AND LUBRICATION

1. BUDGIT Heavy Duty Rigid Mount Trolleys are built to give long service, but should be inspected periodically for evidence of damage or wear, particularly when subjected to unusual severe operating conditions.

2. Lubrication requirements:

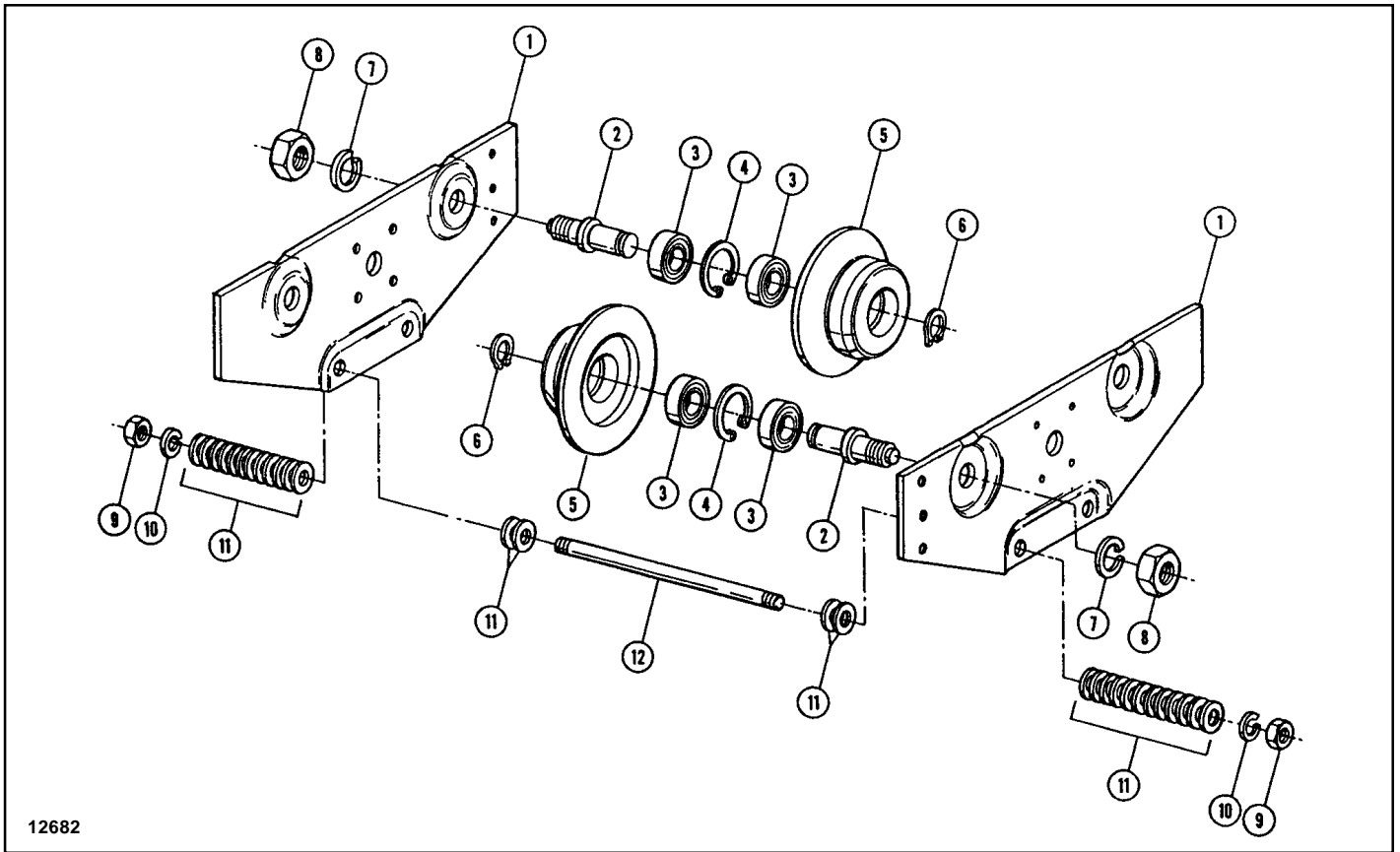
- Wheel bearings are permanently lubricated and require no additional lubricant.
- Drive wheel gears are to be lubricated with an open type gear grease which is heavy, plastic, extreme pressure and tacky; such as MOBILTAC 325 NC or equal.

## REPLACEMENT PARTS

The following parts lists and illustrations cover standard model BUDGIT Heavy Duty Rigid Mount Trolleys. Typical units are used as the basis for the exploded parts illustrations; therefore certain variations may occur from the parts information given. For this reason always give the catalog number and model number.

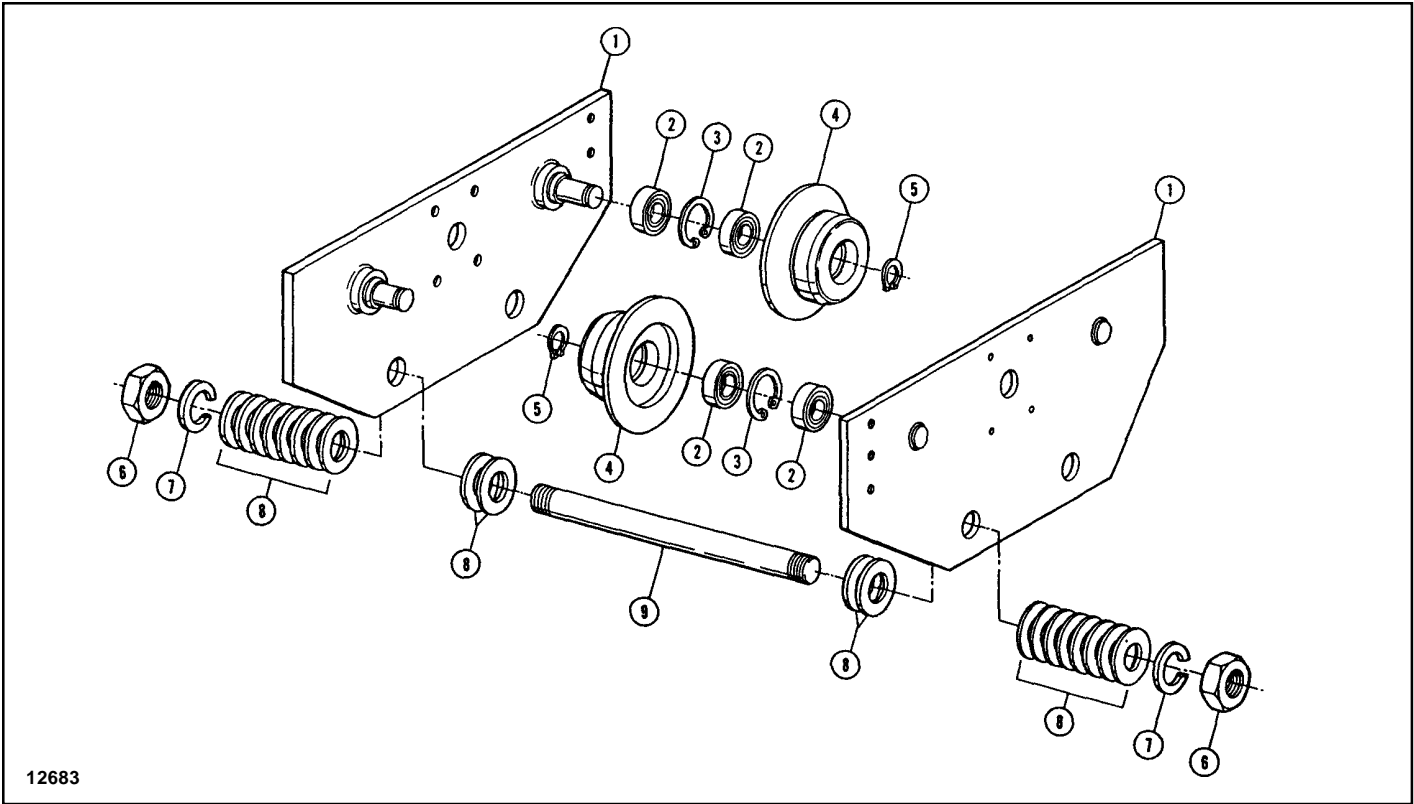
Pins referred to in some column headings are trolley suspension pins.

The numbers assigned to the parts of our various assemblies in our parts list are not the part numbers used in manufacturing the part. They are identification numbers, that when given with the trolley model number, permit us to identify, select or manufacture and ship the correct part needed for any trolley.



**Figure 3. Push Type Rigid Mount Trolley Assembly.**  
 (4"  $\varnothing$  Wheels — 3-1/8" & 5" c/c Pins.)

Ref. No.	Description	3-1/8" c/c Pins		5" c/c Pins		
		Part Number	Qty. Req'd.	Part Number	Qty. Req'd.	
1	Plate Assembly - Side					
	For 3" to 5" Flange Widths and Patented Track	BT-1300	2	—	—	
	For 5-1/8" to 7-1/4" Flange Widths	BT-1301	2	—	—	
	For 7-1/2" to 9-1/8" Flange Widths	BT-1302	2	—	—	
	For 3-5/8" to 6" Flange Widths and Patented Track	—	—	BT-1303	2	
	For 6-1/4" to 8-5/8" Flange Widths	—	—	BT-1304	2	
2	Shaft-Wheel	—	—	BT-1305	2	
		For 8-7/8" to 11-1/4" Flange Widths	—	—	—	—
		BT-1306	4	BT-1306	4	
		—	—	—	—	
3	Bearing - Ball	BT-1307	8	BT-1307	8	
		—	—	—	—	
4	Ring - Retaining	BT-1308	4	BT-1308	4	
		—	—	—	—	
5	Wheel - Plain	—	—	—	—	
		Standard	BT-1309	4	BT-1309	4
		Patented Track	BT-1310	4	BT-1310	4
		Spark Resistant	BT-1311	4	BT-1311	4
6	Ring - Retaining	BT-1312	4	BT-1312	4	
		—	—	—	—	
7	Lockwasher	BT-1313	4	BT-1313	4	
		—	—	—	—	
8	Nut - Hex Jam	BT-1314	4	BT-1314	4	
		—	—	—	—	
9	Nut - Hex Jam	BT-1315	4	BT-1314	4	
		—	—	—	—	
10	Lockwasher	BT-1316	4	BT-1313	4	
		—	—	—	—	
11	Washer-Spacer	BT-1317	56	BT-1318	36	
		—	—	—	—	
		—	—	—	—	
		—	—	—	—	
		—	—	—	—	
		—	—	—	—	
		—	—	—	—	
		—	—	—	—	
		—	—	—	—	
		—	—	—	—	
		—	—	—	—	
		—	—	—	—	
12	Pin - Suspension	BT-1319	2	—	—	
		For 3" to 5" Flange Widths and Patented Track	—	—	—	—
		For 5-1/8" to 7-1/4" Flange Widths	BT-1320	2	—	—
		For 7-1/2" to 9-1/8" Flange Widths	BT-1321	2	—	—
		For 3-5/8" to 6" Flange Widths and Patented Track	—	—	BT-1322	2
		For 6-1/4" to 8-5/8" Flange Widths	—	—	BT-1323	2
12	Pin - Suspension	—	—	BT-1324	2	
		—	—	—	—	



12683

**Figure 4. Push Type Rigid Mount Trolley Assembly.**  
 (4" ∅ Wheels — 6" c/c Pins.)

Ref. No.	Part Number	Description	Qty. Req'd
1	BT-1400	Plate Assembly - Side For 4" to 6" Flange Widths and Patented Track	2
	BT-1401	For 6-3/8" to 8-5/8" Flange Widths	2
	BT-1402	For 8-3/4" to 11" Flange Widths	2
2	BT-1403	Bearing - Ball	8
3	BT-1404	Ring - Retaining	4
4		Wheel - Plain	
	BT-1405	Standard	4
	BT-1406	Patented Track	4
	BT-1407	Spark Resistant	4
5	BT-1408	Ring - Retaining	4
6	BT-1409	Nut - Hex Jam	4
7	BT-1410	Lockwasher	4
8	BT-1411	Washer - Spacer	40
9		Pin - Suspension	
	BT-1412	For 4" to 6" Flange Widths and Patented Track	2
	BT-1413	For 6-3/8" to 8-5/8" Flange Widths	2
	BT-1414	For 8-3/4" to 11" Flange Widths	2

**Notes**

---



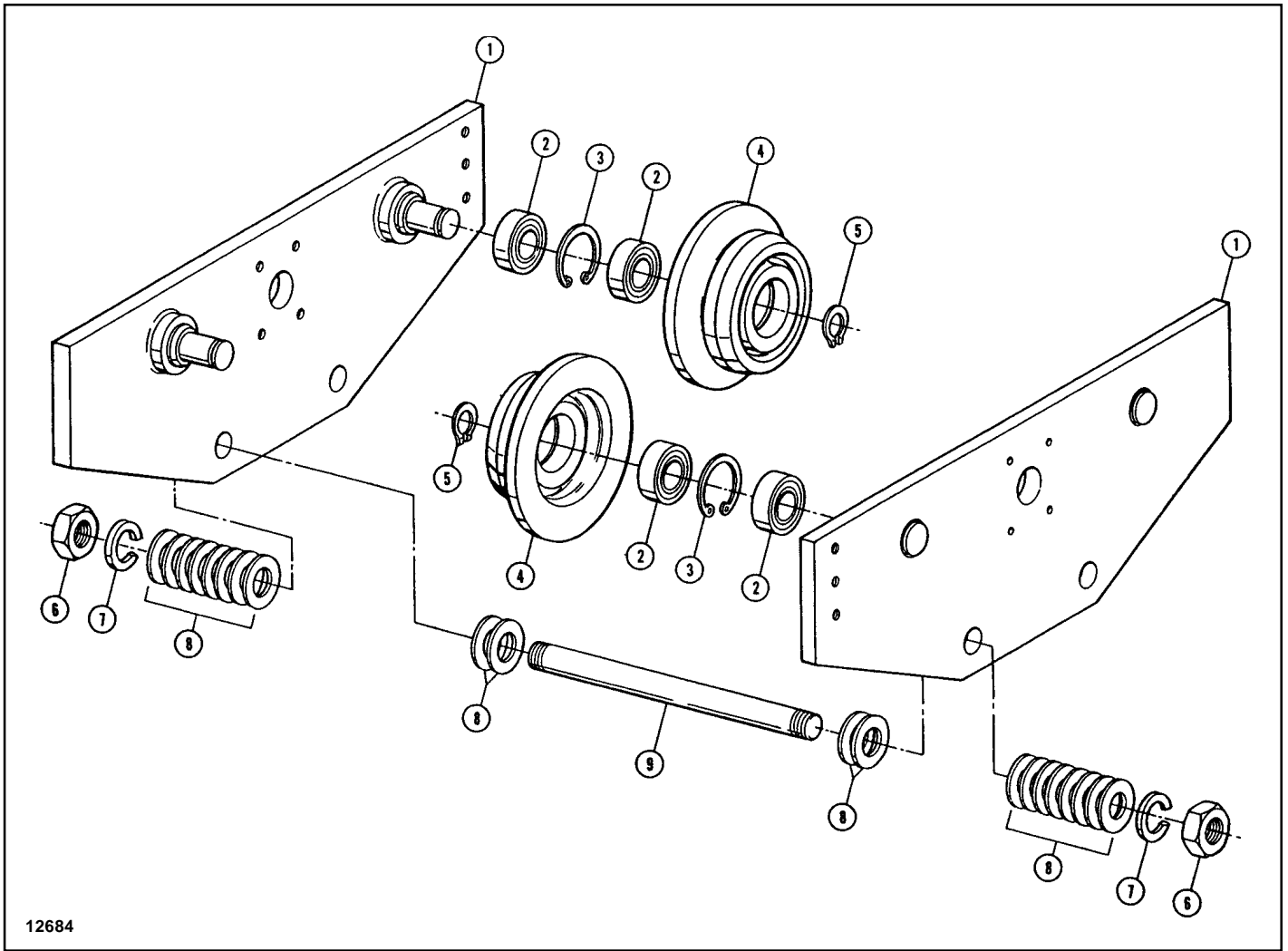
---



---



---



12684

**Figure 5. Push Type Rigid Mount Trolley Assembly.**  
**(6½" Ø Wheels.)**

Ref. No.	Part Number	Description	Qty. Req'd
1	BT-2700	Plate Assembly - Side For 4" to 6-1/4" Flange Widths and Patented Track	2
	BT-2701	For 6-3/8" to 8-5/8" Flange Widths	2
	BT-2702	For 8-3/4" to 11" Flange Widths	2
2	BT-2703	Bearing - Ball	8
3	BT-2704	Ring - Retaining	4
4		Wheel - Plain	
	BT-2705	Standard	4
	BT-2706	Patented Track	4
	BT-2707	Spark Resistant	4
5	BT-2708	Ring - Retaining	4
6	BT-2709	Nut - Hex Jam	4
7	BT-2710	Lockwasher	4
8	BT-2711	Washer - Spacer	40
9		Pin - Suspension	
	BT-2712	For 4" to 6-1/4" Flange Widths and Patented Track	2
	BT-2713	For 6-3/8" to 8-5/8" Flange Widths	2
	BT-2714	For 8-3/4" to 11" Flange Widths	2

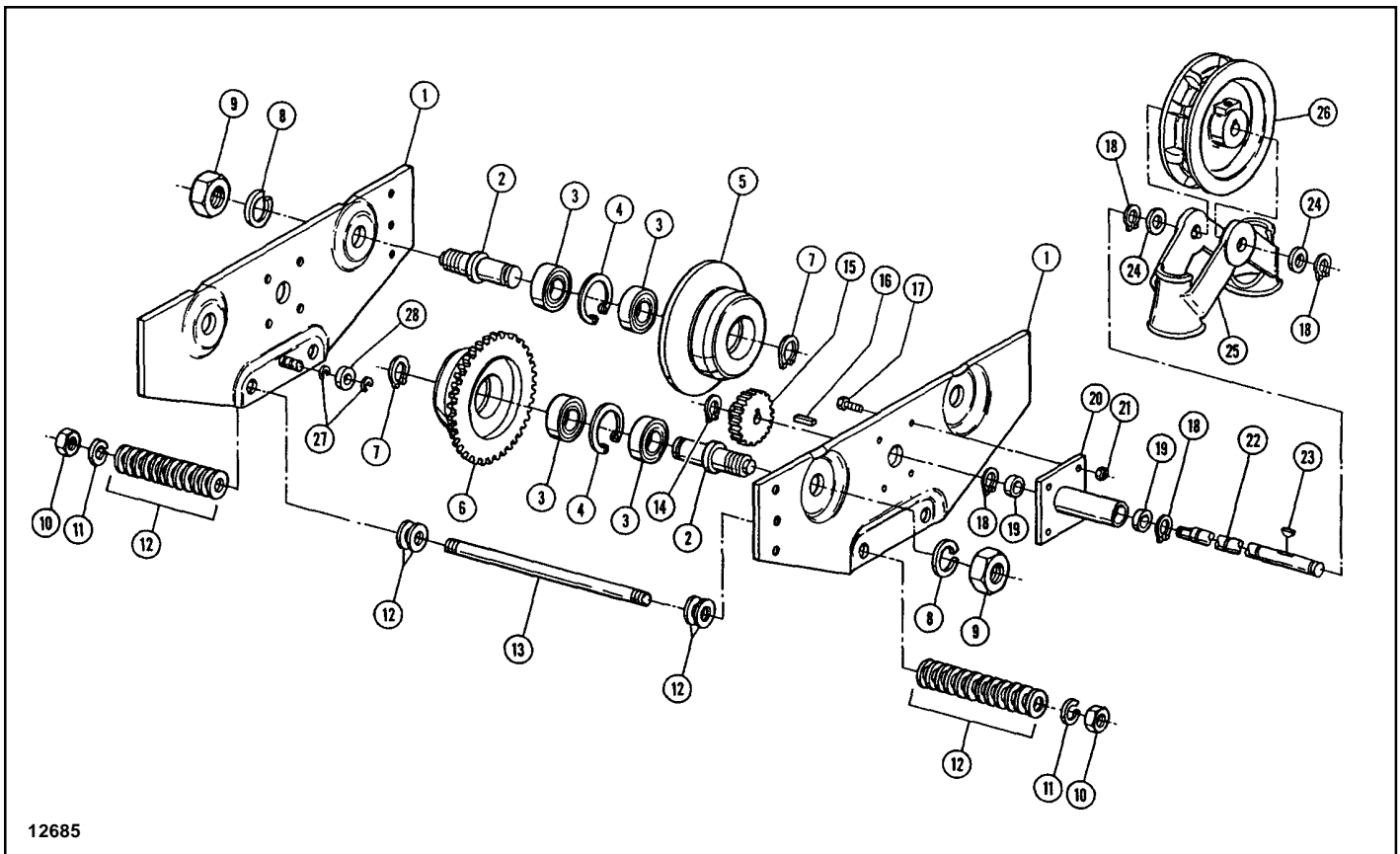
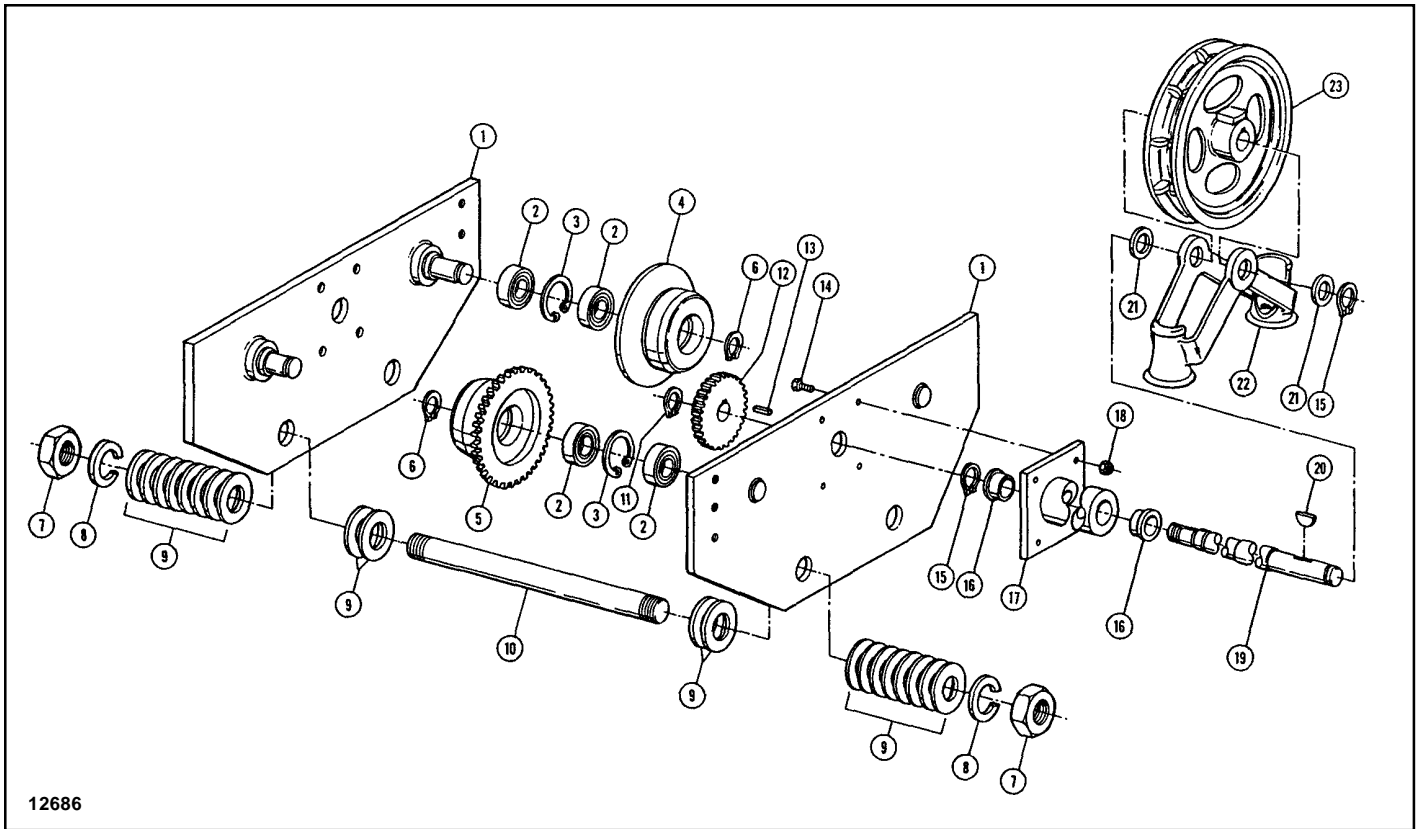


Figure 6. Hand Geared Rigid Mount Trolley Assembly.  
(4"  $\varnothing$  Wheels — 3-1/8" & 5" c/c Pins.)

Ref. No.	Description	3-1/8" c/c Pins		5" c/c Pins	
		Part Number	Qty. Req'd.	Part Number	Qty. Req'd.
1	Plate Assembly - Side				
	For 3" to 5" Flange Widths and Patented Track	BT-2500	2	—	—
	For 5-1/8" to 7-1/4" Flange Widths	BT-2501	2	—	—
	For 7-1/2" to 9-1/8" Flange Widths	BT-2502	2	—	—
	For 3-5/8" to 6" Flange Widths and Patented Track	—	—	BT-2503	2
6	For 6-1/4" to 8-5/8" Flange Widths	—	—	BT-2504	2
	For 8-7/8" to 11-1/4" Flange Widths	—	—	BT-2505	2
2	Shaft - Wheel	BT-2506	4	BT-2506	4
3	Bearing-Ball	BT-2507	8	BT-2507	8
4	Ring - Retaining	BT-2508	4	BT-2508	4
5	Wheel - Plain				
	Standard	BT-2509	2	BT-2509	2
	Patented Track	BT-2510	2	BT-2510	2
	Spark Resistant	BT-2511	2	BT-2511	2
6	Wheel - Geared				
	Standard	BT-2512	2	BT-2512	2
	Patented Track	BT-2513	2	BT-2513	2
7	Ring - Retaining	BT-2514	2	BT-2514	2
	Spark Resistant	BT-2515	4	BT-2515	4
		BT-2516	4	BT-2516	4
8	Lockwasher	BT-2516	4	BT-2516	4
9	Nut - Hex Jam	BT-2517	4	BT-2517	4
10	Nut - Hex Jam	BT-2518	4	BT-2517	4
11	Lockwasher	BT-2519	4	BT-2516	4
12	Washer - Spacer	BT-2520	56	BT-2521	36



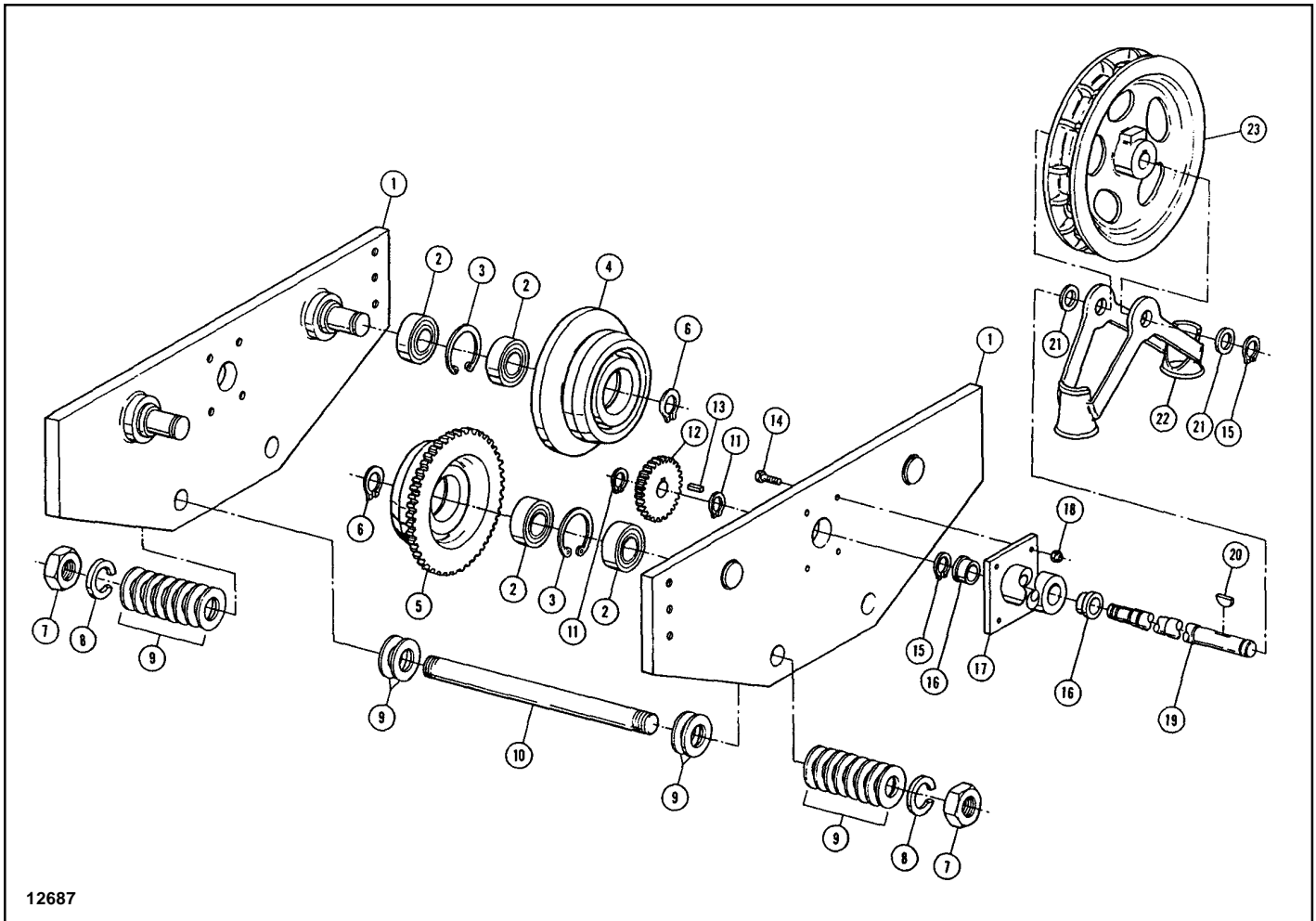




**Figure 7. Hand Geared Rigid Mount Trolley Assembly.**  
**(4" ∅ Wheels — 6" c/c Pins.)**

Ref. No.	Part Number	Description	Qty. Req'd
1	BT-2600	Plate Assembly - Side For 4" to 6-1/4" Flange Widths and Patented Track	2
	BT-2601	For 6-3/8" to 8-5/8" Flange Widths	2
	BT-2602	For 8-3/4" to 11" Flange Widths	2
2	BT-2603	Bearing - Ball	8
3	BT-2604	Ring - Retaining	4
4		Wheel - Plain	
	BT-2605	Standard	2
	BT-2606	Patented Track	2
	BT-2607	Spark Resistant	2
5		Wheel - Geared	
	BT-2608	Standard	2
	BT-2609	Patented Track	2
	BT-2610	Spark Resistant	2
6	BT-2611	Ring - Retaining	4
7	BT-2612	Nut - Hex Jam	4
8	BT-2613	Lockwasher	4
9	BT-2614	Washer-Spacer	40
10		Pin - Suspension	
	BT-2615	For 4" to 6-1/4" Flange Widths and Patented Track	2
	BT-2616	For 6-3/8" to 8-5/8" Flange Widths	2
	BT-2617	For 8-3/4" to 11" Flange Widths	2
11	BT-2618	Ring - Retaining	1
12	BT-2619	Pinion	1
13	BT-2620	Key - Pinion	1
14	BT-2621	Screw - Hex Cap	4





12687

**Figure 8. Hand Geared Rigid Mount Trolley Assembly.  
(6½" Ø Wheels.)**

Ref. No.	Part Number	Description	Qty. Req'd	
1	BT-2800	Plate Assembly - Side For 4" to 6-1/4" Flange Widths and Patented Track	2	
	BT-2801	For 6-3/8" to 8-5/8" Flange Widths	2	
	BT-2802	For 8-3/4" to 11" Flange Widths	2	
2	BT-2803	Bearing - Ball	8	
	3	BT-2804	Ring - Retaining	4
4	BT-2805	Wheel - Plain Standard	2	
	BT-2806	Patented Track	2	
	BT-2807	Spark Resistant	2	
5	BT-2808	Wheel - Geared Standard	2	
	BT-2809	Patented Track	2	
	BT-2810	Spark Resistant	2	
6	BT-2811	Ring - Retaining	4	
7	BT-2812	Nut - Hex Jam	4	
8	BT-2813	Lockwasher	4	
9	BT-2814	Washer - Spacer	40	
10	BT-2815	Pin - Suspension For 4" to 6-1/4" Flange Widths and Patented Track	2	
	BT-2816	For 6-3/8" to 8-5/8" Flange Widths	2	
	BT-2817	For 8-3/4" to 11" Flange Widths	2	
11	BT-2818	Ring - Retaining	2	



## Recommended Spare Parts for Your Budget Trolley

Certain parts of your trolley will, in time, require replacement under normal wear conditions. It is suggested that the following parts be purchased for your trolley as spares for future use.

- 1 Set of Wheels
- 1 Pinion (Hand Geared Trolley Only)

**Note: When ordering parts always furnish Model Number of Trolley.**

Parts for your trolley are available from your local authorized **BUDGIT** repair station. For the location of your nearest repair station, write:

**Yale•Lift-Tech**  
P.O. Box 769  
Muskegon, MI 49443-0769

Phone: **800 742-9269**  
Fax: **800 742-9270**

# WARRANTY

## WARRANTY AND LIMITATION OF REMEDY AND LIABILITY

A. Seller warrants that its products and parts, when shipped, and its work (including installation, construction and start-up), when performed, will meet applicable specifications, will be of good quality and will be free from defects in material and workmanship. All claims for defective products or parts under this warranty must be made in writing immediately upon discovery and in any event, within one (1) year from shipment of the applicable item unless Seller specifically assumes installation, construction or start-up responsibility. All claims for defective products or parts when Seller specifically assumes installation, construction or start-up responsibility and all claims for defective work must be made in writing immediately upon discovery and in any event, within one (1) year from completion of the applicable work by Seller, provided; however, all claims for defective products and parts made in writing no later than eighteen (18) months after shipment. Defective items must be held for Seller's inspection and returned to the original f.o.b. point upon request. **THE FOREGOING IS EXPRESSLY IN LIEU OF ALL OTHER WARRANTIES WHATSOEVER, EXPRESS, IMPLIED AND STATUTORY, INCLUDING, WITHOUT LIMITATION, THE IMPLIED WARRANTIES OF MERCHANTABILITY AND FITNESS.**

B. Upon Buyer's submission of a claim as provided above and its substantiation, Seller shall at its option either (i) repair or replace its product, part or work at either the original f.o.b. point of delivery or at Seller's authorized service station nearest Buyer or (ii) refund an equitable portion of the purchase price.

C. This warranty is contingent upon Buyer's proper maintenance and care of Seller's products, and does not extend to normal wear and tear. Seller reserves the right to void warranty in event of Buyer's use of inappropriate materials in the course of repair or maintenance, or if Seller's products have been dismantled prior to submission to Seller for warranty inspection.

D. The foregoing is Seller's only obligation and Buyer's exclusive remedy for breach of warranty and is Buyer's exclusive remedy hereunder by way of breach of contract, tort, strict liability or otherwise. In no event shall Buyer be entitled to or Seller liable for incidental or consequential damages. Any action for breach of this agreement must be commenced within one (1) year after the cause of action has accrued.

**BUDGIT®**