



TOLL FREE 1-800-392-0146

www.hoist-parts.com
parts@sisscohoist.com

SISSCO ONLINE HOIST PARTS DISTRIBUTION CENTER MANUALS



A Reputation for Service Since 1972
Certified WBE



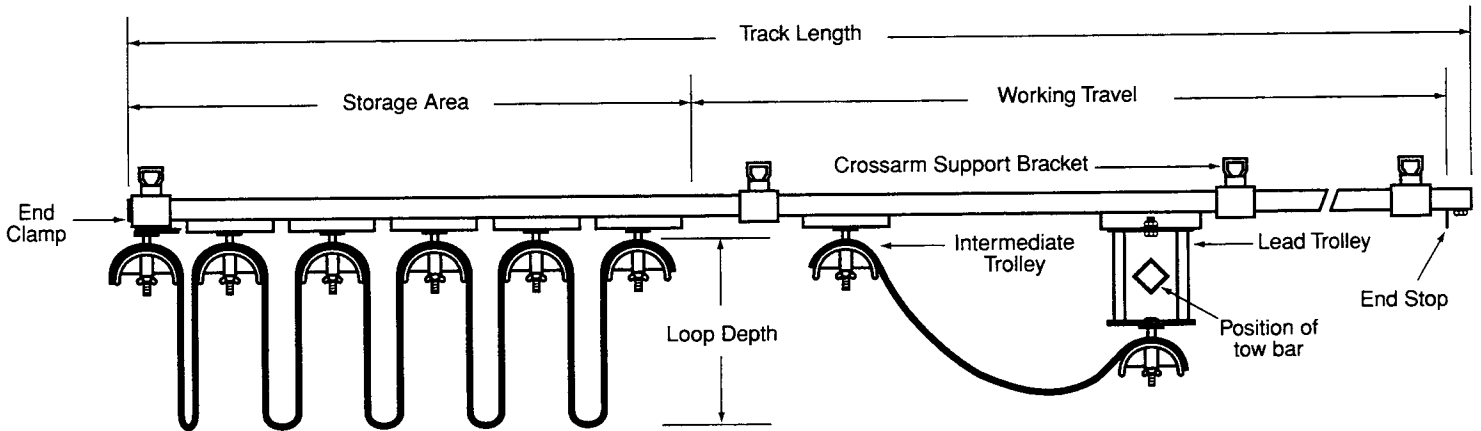


P.O. Box 519	1351 W. Second Street	379 Davis Road, Unit #3
Corona, California 91718-0519	Oconomowoc, Wisconsin 53066	Oakville, Ontario, Canada L6J 2X2
Phone: 909-735-8220; 800-543-3885; 800-735-1922	Phone: 414-567-2288	Phone: 905-844-1791; 800-361-9473
Fax: 909-735-2372; 800-752-6001; 800-735-0857	Fax: 414-567-0857	Fax: 905-844-2533; 800-663-0933

INSTALLATION INSTRUCTIONS • 12 GAUGE C-TRACK SYSTEM

For Both Galvanized and Stainless Steel Systems

TYPICAL SYSTEM LAYOUT



Use tow chains or straps when system speed is over 150 FPM.

Consult Factory when:

- Atmosphere is corrosive or dusty.
- Hazardous materials are present.
- Speeds exceed 250 FPM.
- Components not shown or listed are required (including special flat cable sizes.)

CAUTION

MAKE CERTAIN POWER SUPPLY IS DISCONNECTED BEFORE INSTALLING, REPAIRING, OR WORKING IN THE PROXIMITY OF ANY ELECTRICAL SYSTEM. ONLY QUALIFIED ELECTRICAL PERSONNEL SHOULD INSTALL OR REPAIR THESE PRODUCTS.

STEP 1 DETERMINE BRACKET AND HANGER SPACING

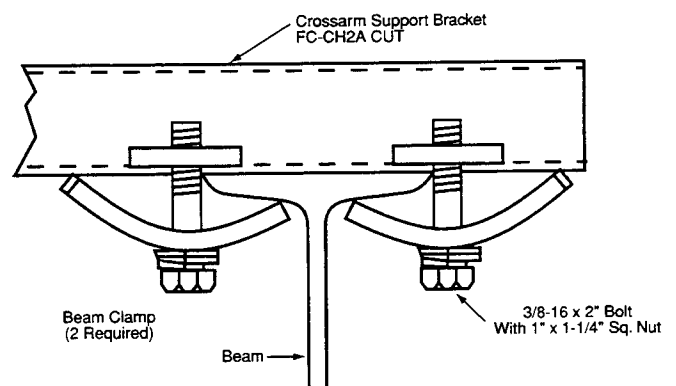
- Determine the loop depth (3 to 4 ft. is typical).
- Calculate the total load per trolley.
- Use the following guidelines to space brackets and hangers.

Trolley Load	Spacing
10 lbs.	10 ft.
30 lbs.	8 ft.
40 lbs.	7 ft.
50 lbs.	6 ft.

- In the storage area of the track, space the support brackets at 5 ft.
- When installing independent pushbutton tracks, use 5 ft. spacing throughout the entire track length. Pulling the station control trolley from the floor adds additional stress on the track hangers.

STEP 2 INSTALL CROSSARM SUPPORT BRACKETS

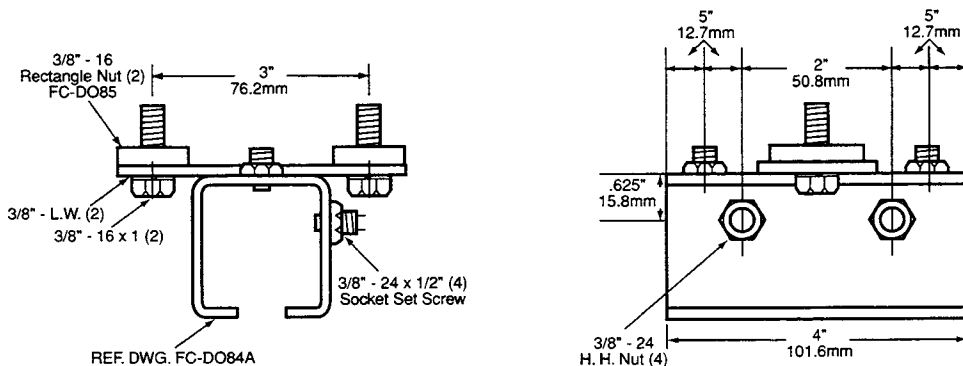
Install crossarm support brackets using the spacing determined in Step 1.



**UNIVERSAL BEAM CLAMP
FC-TMC-U or FC-TMC-U-SS**

STEP 3: INSTALL HANGERS

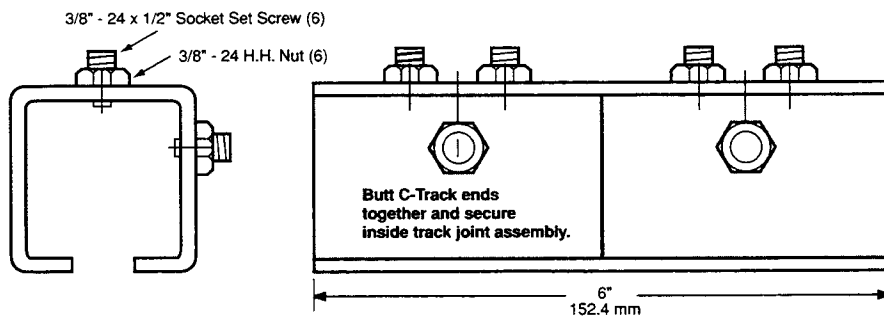
Install track hangers on crossarms, leaving clamping bolts loose.



**TRACK HANGER
FC-CH2F**

STEP 4 INSTALL C-TRACK

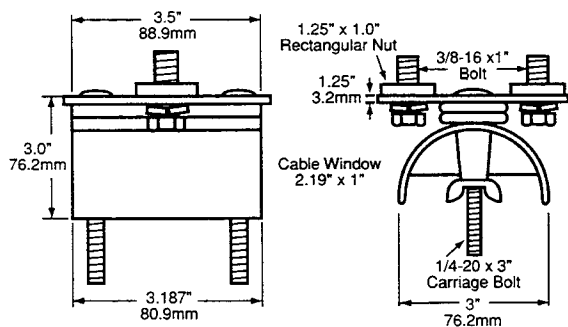
Slide C-Track sections into hanger clamps. Butt C-Track together and secure with track joint assembly. Firmly tighten joint assembly bolts and hanger clamping bolts, making sure that the track is straight. Tighten the set screws with a 3/16" Allen wrench, then tighten the lock nut over the set screw.



**BOLTED TRACK JOINT ASSEMBLY
FC-CH2D**

STEP 5 INSTALL END CLAMP

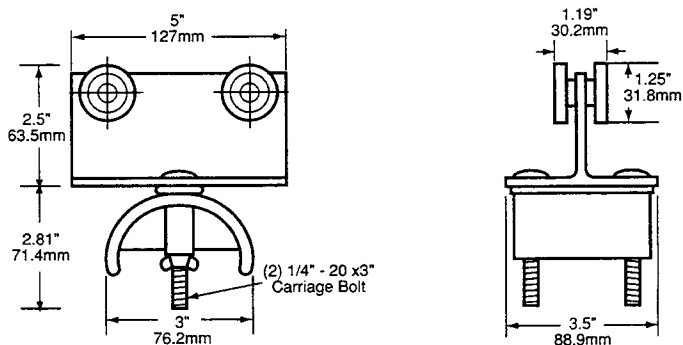
Install the end clamp assembly FC-CS21, FC-CS22 or FC-CS24 onto the cable-storage end of the track.



**END CLAMP/SADDLE ASSEMBLY
FC-CS22**

STEP 6 INSTALL TROLLEY & SADDLE ASSEMBLIES

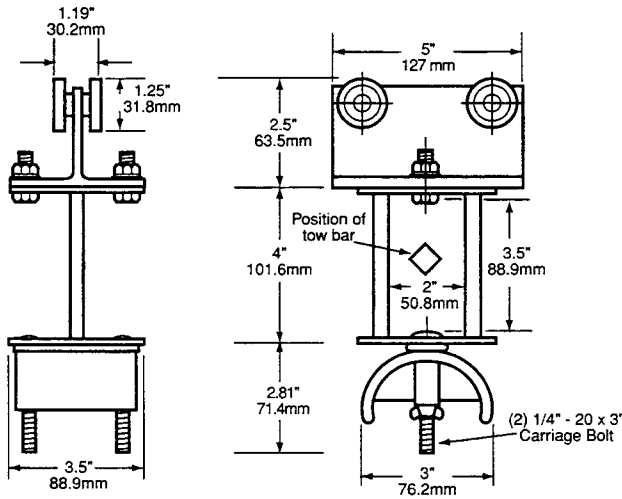
Insert trolley/saddle assemblies into the C-track. Be sure all trolleys float freely within the track.



**TROLLEY ASSEMBLY
FC-TR22**

STEP 7 INSTALL LEAD TROLLEY

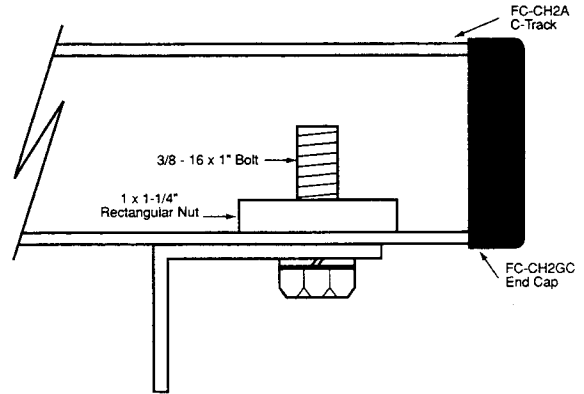
Insert the lead trolley as the last of the trolleys. When installing a pushbutton track, see Step 12.



**LEAD TROLLEY
FC-TRT22**

STEP 8 INSTALL END STOP

Install the end stop assembly on the track end opposite the end clamp. Slide the end stop into the slot of the C-Track end and securely tighten the nut.



**END STOP ASSEMBLY
FC-CH2G**

STEP 9 INSTALL FLAT CABLE

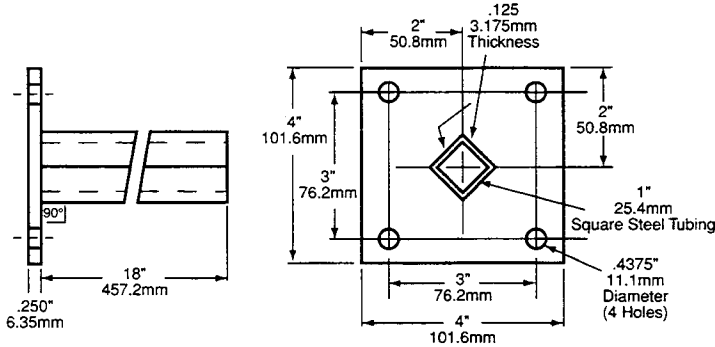
Feed the flat cables into the trolleys between the plastic clamp pad and the saddle. Loop lengths should be equal and to the depth determined in step one. Duct-O-Wire cable markings are two feet apart from any word in the first marking to the same word in the next marking. If you measure off 3 markings from one saddle clamp to the next, you will have a 3 ft. loop drop. If you go to the 4th mark, you will have a 4 ft. loop drop.

STEP 10 INSTALL JUNCTION BOXES

Install cable connectors on approved junction boxes and insert cables through the rubber bushings. Tighten the connector nut firmly. The connector should be installed at the bottom of the junction box for outdoor applications. Heat shrink cable fittings are available for multiple cable installations.

STEP 11 INSTALL TOW BAR

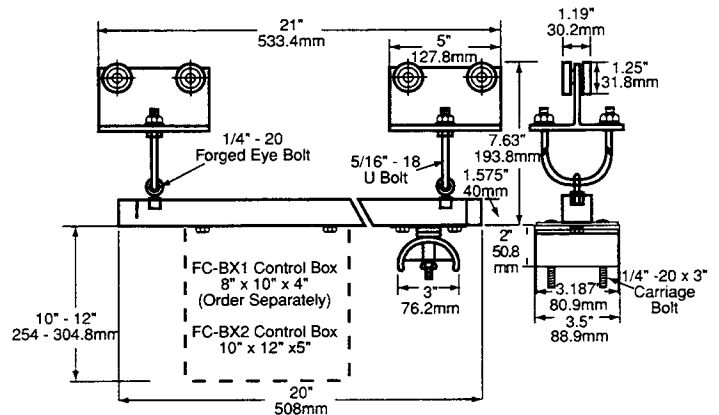
Install the tow bar on equipment to be electrified. The tow bar should be centered within the tow trolley.



**TOW BAR
FC-TB1**

STEP 12 INSTALL CONTROL TROLLEY

If your system utilizes an independent push button track, install the control trolley as the lead item and attach a junction box. Feed the cables through the saddle into the junction box and secure them with cable connectors.



**CONTROL TROLLEY ASSEMBLY
FC-TRC22**

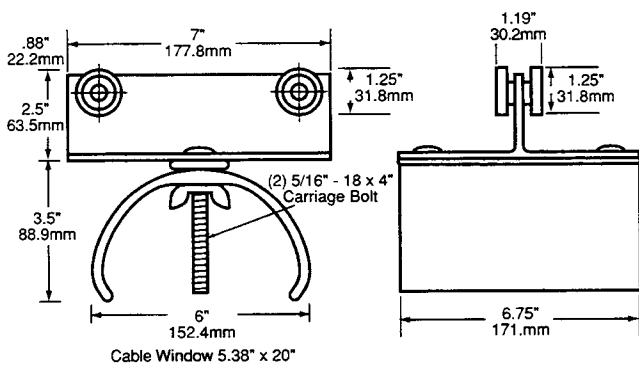
STEP 13 TEST INSTALLATION

Run the entire system back and forth several times over the entire track length to ensure proper operation. Flat cables should extend in a straight line if cables are fastened properly on trolleys. Use cable ties or organizers at the bottom of multiple cable loads to prevent cable twisting or separation.

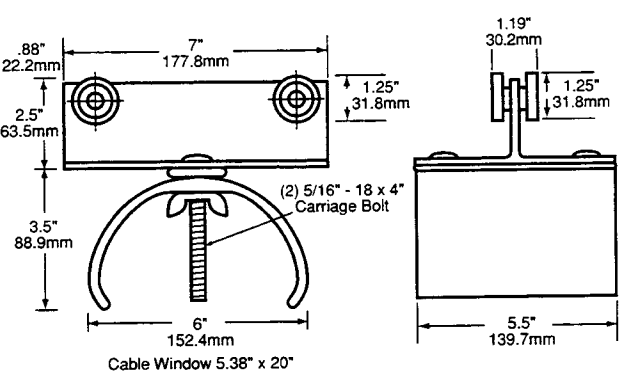
Warning: Be sure that the cable loop from the lead trolley saddle to the hoist/trolley connections does not place any side pull on the lead trolley. Cable loops must clear all other equipment.

OPTIONAL TROLLEYS

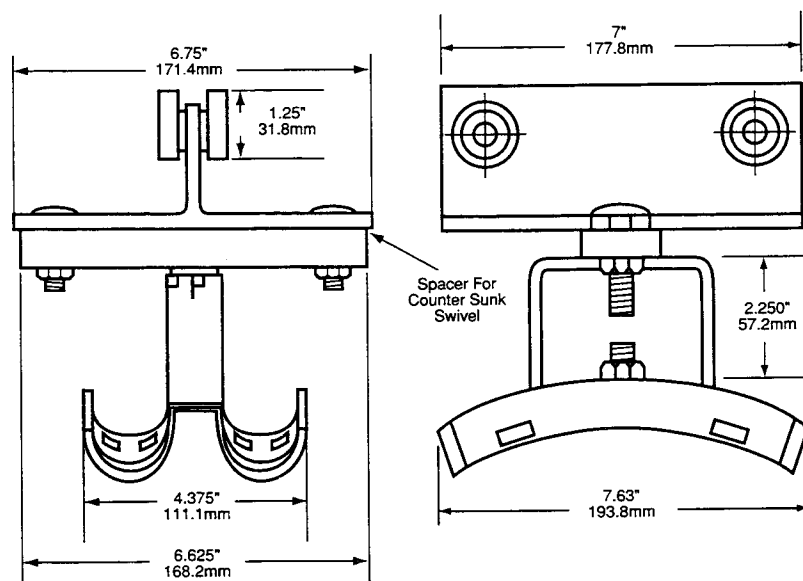
For additional trolley models, see brochure and price list.



**TROLLEY ASSEMBLY
FC-TR21**



**TROLLEY ASSEMBLY
FC-TR24**



**TROLLEY ASSEMBLY
R-TR21-2**